



五星减速机
WUXING JIANSUJI

YTC系列齿轮减速电机-TDY系列电动滚筒

泰兴市五星减速机有限公司

Taixing Five Star Reducer Co., Ltd.

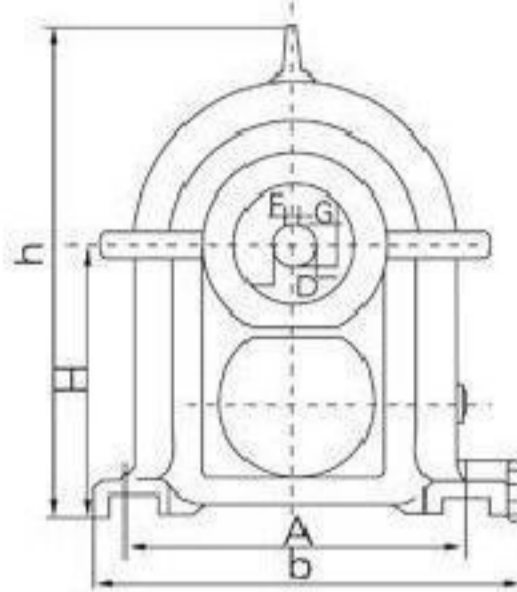
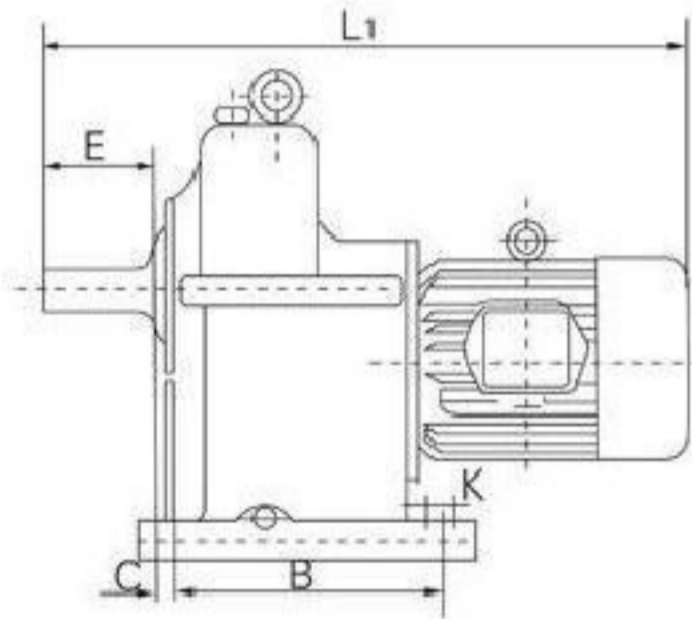
地址：江苏省泰兴市姚王镇118号

24小时服务热线：13961848999



扫一扫加微信

YTC型齿轮减速电机



YTC501B

- B 表示第二次改型设计
- 1 表示电动机铁心长度号
- 50 表示轴伸中心高(mm)的1/5
- C 表示齿轮减速
- T 表示特殊型
- Y 表示交流异步电动机



YTC型减速电机外形和安装尺寸

表1 (毫米)

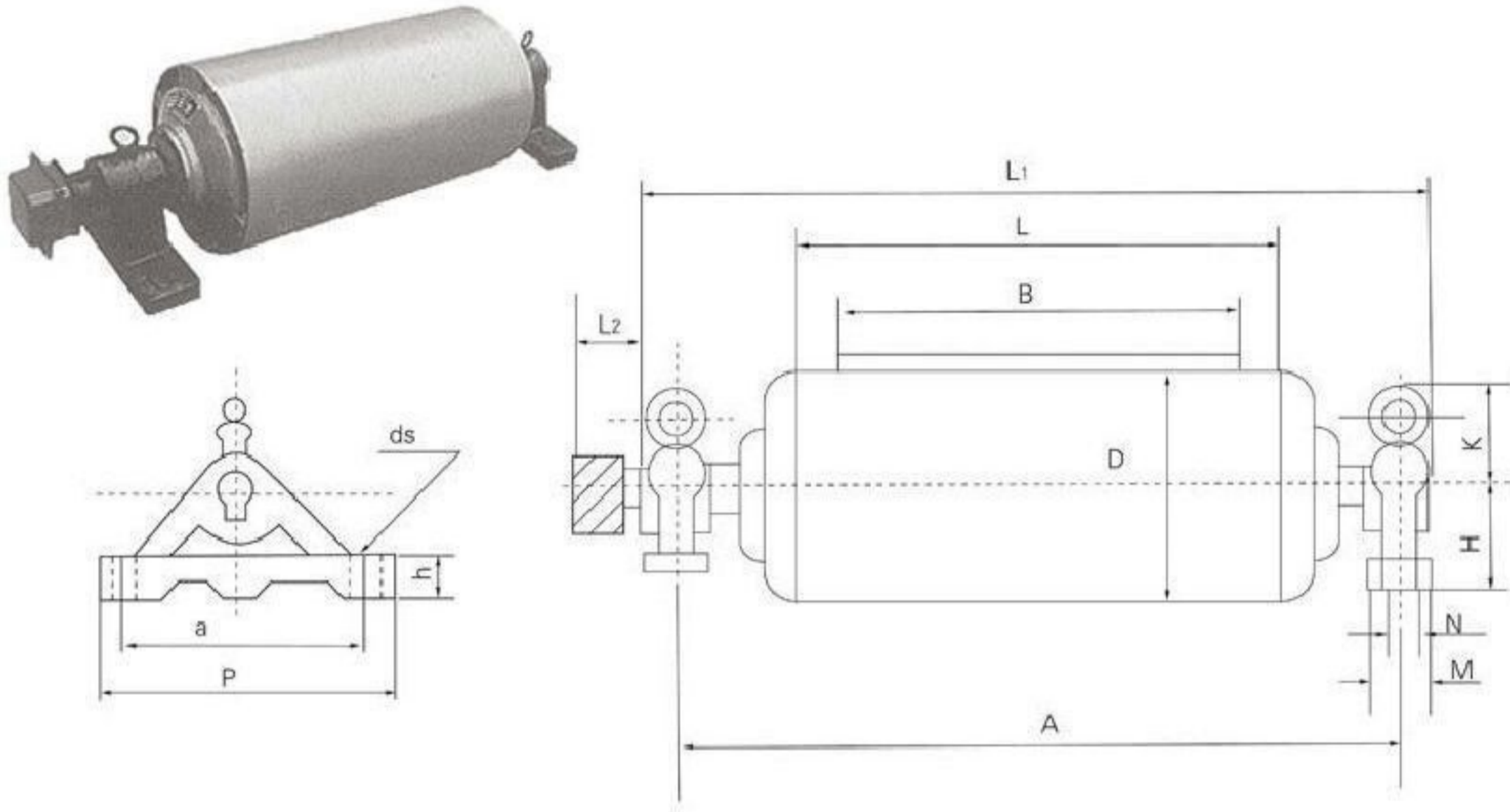
| 型号 | 安 装 尺 寸 | | | | | | | | | 外 形 尺 寸 | | |
|--------|---------|-----|----|----|-----|----|------|-----|----|---------|-----|-----|
| | A | B | C | D | E | F | G | H | K | b | h | L1 |
| YTC501 | 310 | 250 | 22 | 35 | 80 | 10 | 29.8 | 250 | 19 | 376 | 460 | 565 |
| YTC502 | 310 | 250 | 22 | 35 | 80 | 10 | 29.8 | 250 | 19 | 376 | 460 | 590 |
| YTC561 | 370 | 300 | 14 | 50 | 110 | 14 | 44.2 | 280 | 19 | 446 | 512 | 678 |
| YTC562 | 370 | 300 | 14 | 50 | 110 | 14 | 44.2 | 280 | 19 | 446 | 512 | 720 |
| YTC671 | 420 | 360 | 9 | 60 | 140 | 18 | 52.9 | 335 | 24 | 520 | 605 | 780 |
| YTC672 | 420 | 360 | 9 | 60 | 140 | 18 | 52.9 | 335 | 24 | 520 | 605 | 830 |
| YTC751 | 500 | 360 | 15 | 60 | 140 | 18 | 52.9 | 375 | 24 | 600 | 675 | 870 |
| YTC752 | 500 | 360 | 15 | 60 | 140 | 18 | 52.9 | 375 | 24 | 600 | 675 | 870 |
| YTC902 | 550 | 360 | 23 | 70 | 140 | 20 | 62.2 | 450 | 24 | 660 | 800 | 915 |
| YTC903 | 550 | 360 | 23 | 70 | 140 | 20 | 62.2 | 450 | 24 | 660 | 800 | 960 |

YTC型减速电机技术参数

表2

| 型号 | 额定功率 (KW) | 额定转速 (RPM) | 额定电流 (A) | 堵转电流 | 堵转转矩 | 最大转矩 | 质量 (最大) (kg) |
|-----------|-----------|---|----------|------|------|------|--------------|
| | | | | 额定电流 | 额定转矩 | 额定转矩 | |
| YTC 501 B | 1.1 | 48.53.59.67.75.88.97.102.114.129.150.164.171.184.219. | 2.7 | 6.5 | 2.2 | 2.2 | 80 |
| YTC 502 B | 1.1 | 31.35.39.44. | 3.2 | 6 | 2 | 2 | 80 |
| YTC 502 B | 1.5 | 48.53.59.67.75.88.97.102.114.129.150.164.171.184.219. | 3.7 | 6.5 | 2.2 | 2.2 | 85 |
| YTC 561 B | 1.5 | 31.35.39.44 | 4 | 6 | 2 | 2 | 120 |
| YTC 561 B | 2.2 | 48.53.59.67.75.88.97.102.114.129.150.164.171.184.219. | 5 | 7 | 2.2 | 2.2 | 121 |
| YTC 562 B | 2.2 | 31.35.39.44. | 5.6 | 6 | 2 | 2 | 130 |
| YTC 562 B | 2.8 | 48.53.59.67.75.88.97.102.114.129.150.164.171.184.219. | 6.8 | 7 | 2.2 | 2.2 | 130 |
| YTC 671 B | 3.8 | 88.97.114.129.150.164.184.219. | 8.8 | 7 | 2.2 | 2.2 | 210 |
| YTC 672 B | 5.2 | 88.97.114.129.150.164.184.219. | 11.6 | 7 | 2.2 | 2.2 | 230 |
| YTC 751 B | 3.8 | 31.35.39.44 | 9.4 | 6.5 | 2 | 2 | 250 |
| YTC 751 B | 5.2 | 48.53.59.67.75. | 11.6 | 7 | 2.2 | 2.2 | 245 |
| YTC 752 B | 5.2 | 31.35.39.44. | 12.6 | 6.5 | 2 | 2 | 255 |
| YTC 752 B | 7 | 48.53.59.67.75. | 15.4 | 7 | 2.2 | 2.2 | 255 |
| YTC 902 B | 7 | 31.35.39.41.44. | 17 | 7 | 2 | 2 | 385 |
| YTC 902 B | 9.5 | 48.53.59.67.75.220. | 22.6 | 6.5 | 2.2 | 2.2 | 385 |
| YTC 903 B | 9.5 | 31.35.39.41.44. | 20.9 | 7 | 1.8 | 1.8 | 445 |
| YTC 903 B | 13.2 | 48.53.59.67.75.220. | 27.4 | 7 | 1.8 | 1.8 | 445 |

TDY75 型油冷式电动滚筒



TDY75油冷式电动滚筒外形及安装尺寸表

表1 (毫米)

| D | B | A | L | L ₁ | L ₂ | H | K | M | N | P | a | h | ds |
|-----|-------|------|------|----------------|----------------|-----|-----|-----|----|-----|-----|----|----|
| 320 | 500 | 850 | 600 | 940 | 95 | 120 | 105 | 90 | | 340 | 280 | 35 | 27 |
| | 650 | 1000 | 750 | 1090 | | 120 | | 90 | | 340 | 280 | 35 | |
| 400 | 500 | 850 | 600 | 940 | 95 | 120 | 125 | 90 | | 340 | 280 | 35 | |
| | 650 | 1000 | 750 | 1090 | | 120 | | 90 | | 340 | 280 | 35 | |
| 500 | 500 | 850 | 600 | 960 | 115 | 100 | 145 | 70 | | 340 | 280 | 35 | |
| | | | 620 | | | 120 | | 90 | | 340 | 280 | 35 | |
| | 650 | 1000 | 750 | 1120 | | 120 | | 90 | | 340 | 280 | 35 | |
| 630 | 800 | 1300 | 950 | 1420 | 115 | 120 | 175 | 90 | 80 | 340 | 280 | 35 | |
| | 650 | 1000 | 750 | 1120 | | 120 | | 90 | | 340 | 280 | 35 | |
| | 800 | 1300 | 950 | 1430 | | 140 | | 130 | | 400 | 330 | 35 | |
| | 1000 | 1500 | 1150 | 1630 | | 140 | | 130 | | 400 | 330 | 35 | |
| | 12000 | 1750 | 1400 | 1880 | | 160 | | 160 | 90 | 440 | 360 | 50 | |